



COMBiLiFT

Customised Handling Solutions

C3500-C4500



Inside of Cabin



Optional LP Gas Bottle



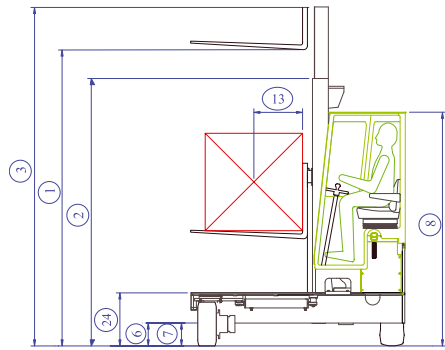
three machines in one

> counterbalance forklift > sideloader > aisle truck

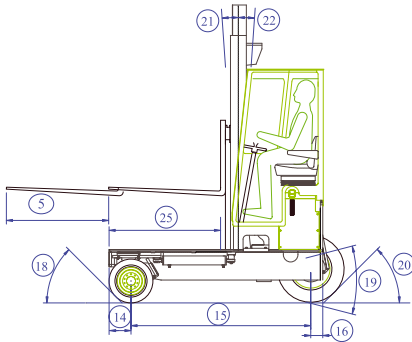
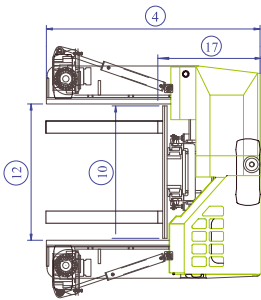


SPECIFICATIONS

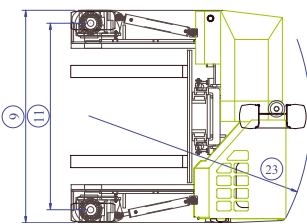
Model C3500-C4500



SIDEWARD MODE



FRONTAL MODE



REF	DESCRIPTION	C3500	C4000	C4500
1a	Max. Lift Height		4040mm	
1b	Free Lift Height		0mm	
2	Height Mast Closed		2855mm	
3	Max. (Mast raised)		4870mm	
4	Overall Length	1950mm	2300mm	2500mm
5	Mast Travel	900mm	1250mm	1400mm
6	Ground Clearance Under Mast		150mm	
7	Ground Clearance to Wheelbase Centre		200mm	
8	Height Over Cab or of Overhead Guard		2435mm	
9	Width		2190mm	
10	Outside Spread of Fork Arms		1350mm	
11	Track Front		1980mm	
12	Frame Opening		1400mm	
13	Load Centre Distance	450mm	600mm	600mm
14	Overhang Front		245mm	
15	Wheel Base	1565mm	1915mm	2115mm
16	Overhang Back		140mm	
17	Length From Face of Fork	1100mm	1100mm	1150mm
18	Approach Angle		45°	
19	Ramp Angle		29°	
20	Departure Angle		45°	
21	Forward Tilt		3°	
22	Backward Tilt		5°	
23	Minimum Outside Radius	1950mm	2260mm	2490mm
24	Platform Height		545mm	
25	Platform Length	850mm	1200mm	1350mm
A	Capacity	3500Kg	4000Kg	4500Kg
B	Unladen Weight	5400Kg	6300Kg	6800Kg
C	Maximum Ground Speed		15 km/h	
D	Gradability		15%	
E	V2003 T Kubota Diesel / 3 ltr. GM LPG		44KW / 48KW	
F	Electric's		12 Volt	
G	Fork Section	50x150x850mm	50x150x1200mm	50x150x1350mm
H	200/50 x 10 Front Tyre		OD 450mm/Width 200mm	
I	27 x 10-12 Rear Tyre		OD 680mm/Width 255mm	
J	Standard Colour		Green and Grey	
K	Suspension Seat		KAB Model 116	

Distributed by

FEATURES INCLUDE:

- Rubber Mounted Half Open Cabin
- Multi-Direction Operation
- Load Sensing Steering
- 3 Wheel Hydrostatic Drive
- 4-Way Lever Positioning of Wheels
- Hydraulic Oil Cooler

www.COMBiLiFT.COM

Combilift Ltd., Co. Monaghan, Ireland

Tel: +353 47 80500

Fax: +353 47 80501

info@combilift.com

COMBiLiFT has a policy of continuous product development and reserves the right to alter specifications without prior notice. Specifications and / or dimensions may vary from those illustrated in some countries.