

C-SERIES C8,000 ET

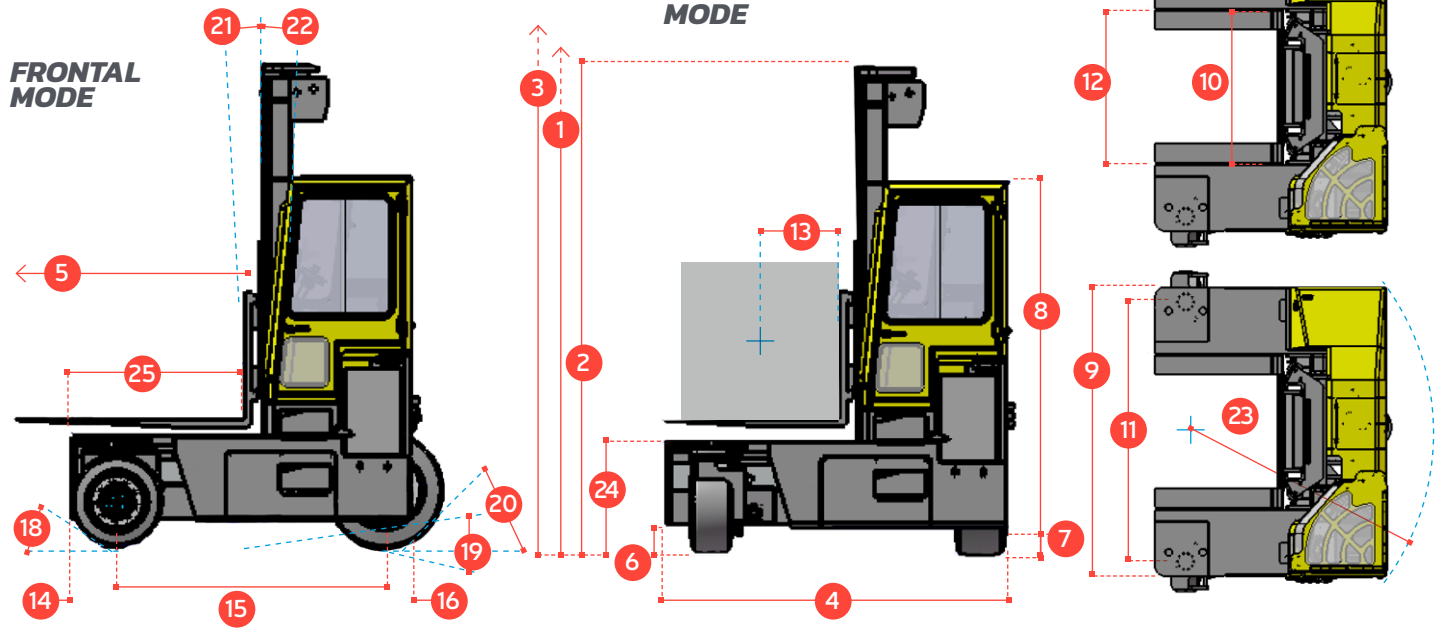
The multi-directional forklift designed for the safe, space saving and productive handling of long and bulky loads.

COMBILIFT

LIFTING INNOVATION

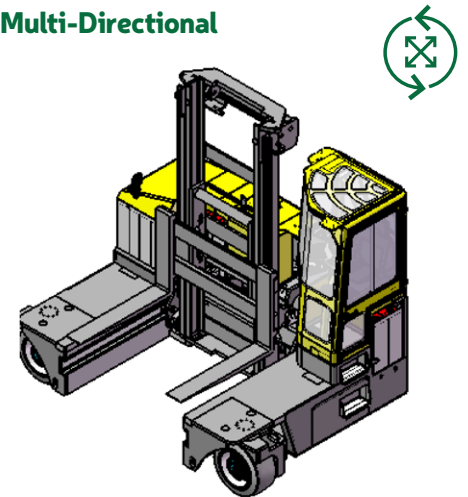


C-SERIES C8,000 ET



REF.	DESCRIPTION	C8000 ET
1a	Standard Lift Height	4536 mm
1b	Freelift Height	0 mm
2	Height Mast Closed	3430 mm
3	Max. (Mast raised)	5936 mm
4	Overall Length	2670 mm
5	Mast Travel	1530 mm
6	Ground Clearance Under Mast	290 mm
7	Ground Clearance to Centre of Wheelbase	200 mm
8	Height Over Cab (Without work - lights)	2650 mm
9	Width	3045 mm
10	Outside Spread of Fork Arms	1600 mm
11	Track Front	2732 mm
12	Frame Opening	1650 mm
13	Load Centre Distance	600 mm
14	Overhang Front	293 mm
15	Wheelbase	2191 mm
16	Overhang Back	186 mm
17	Length From Face of Fork	1180 mm
18	Approach Angle	45°
19	Ramp Angle	29°
20	Departure Angle	45°
21	Forward Tilt	3°
22	Backward Tilt	5°
23	Minimum Outside Radius	2765 mm
24	Platform Height	690 mm
25	Platform Length	1490 mm
A	Capacity	8000 kg
B	Unladen Weight	11500 kg
C	Maximum Ground Speed	12 km/h
D	Gradability	10%
E	Drive Rear/Front	7 kw x1 / 6 kW x 2
F	Electrics	80V x 1000 Ah
G	Fork Section	50 mm x 200 mm x 1490 mm
H	Front Tyre (solid rubber slick tyre)	OD 559 mm / Width 305mm
I	Rear Tyre	OD 840 mm / Width 350 mm
J	Standard Colour	Yellow & Grey
K	Suspension Seat	Grammar MSG65/521

Multi-Directional



Features Include:

- Rubber Mounted Cabin
- Multi-Direction Operation
- Load Sensing Steering
- 3 Wheel Drive
- 4-way lever positioning of Wheels
- AC Motor Technology

Distributed by:

Australian Patent No. 2014217777; Brazilian Patent Application No. BR 11 2015 020348 5; Canadian Application No. 2,901,522; Chinese Patent No. ZL 201480009365.9; European Patent No. 2956350; German Patent No. 60 2010 037 116.6; Indian Patent Application No. 2438/MUMNP/2015; United States Patent No. 9,561,943; UK Patent Application No. 1803601.2; PCT Application No. PCT/EP2019/051235

COMBILIFT HAS A POLICY OF CONTINUOUS PRODUCT DEVELOPMENT AND RESERVES THE RIGHT TO ALTER SPECIFICATIONS WITHOUT PRIOR NOTICE. SPECIFICATIONS AND/OR DIMENSIONS MAY VARY FROM THOSE ILLUSTRATED IN SOME COUNTRIES.

CO. MONAGHAN +353 47 80500
IRELAND INFO@COMBILIFT.COM

combilift.com